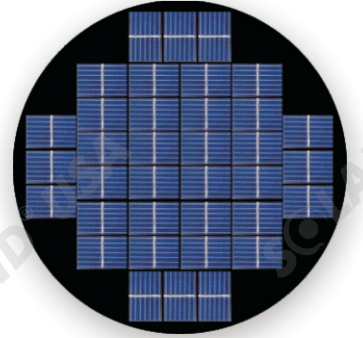


# SLP020-12YA

## High Efficiency Multicrystalline Custom Off-Grid PV Module

Electrical Characteristics	SLP020-12YA
Product code	020011211A
Maximum power (Pmax)	20W
Voltage at Pmax (Vmp)	17.2V
Current at Pmax (Imp)	1.16A
Open-circuit voltage (Voc)	21.6V
Short-circuit current (Isc)	1.31A
Temperature coefficient of Voc	-(80±10)mV/°C
Temperature coefficient of Isc	(0.065±0.015)%/°C
Temperature coefficient of power	-(0.5±0.05)%/°C
NOCT (Air 20°C; Sun 0.8kW/m² wind 1m/s)	47±2°C
Operating temperature	-40°C to 85°C
Maximum system voltage	1000V DC
Power tolerance	+10%/- 5%

\*STC: Irradiance 1000W/m², AM1.5 spectrum, module temperature 25°C  
\*NOCT: Nominal operating cell temperature (the data is only for reference)

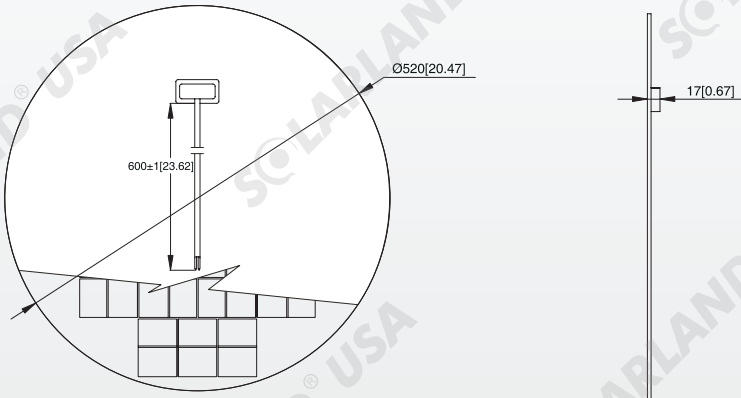


### Module Diagram

Dimensions in brackets are in inches.

Un-bracketed dimensions are in millimeters.

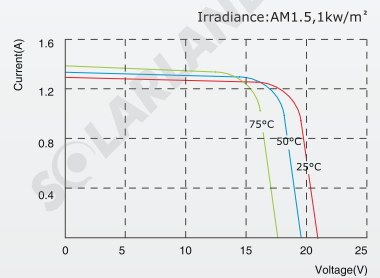
Unit: mm[in.]



### Features

- Nominal 12V DC for standard output.
- Outstanding low-light performance.
- Heavy-duty anodized frames.
- High transparent low-iron, tempered glass.
- Rugged design to withstand high wind pressure, hail and snow load.
- Aesthetic appearance.

### Characteristics



SLP020-12YA I-V Curves

Specifications	SLP020-12YA
Cells	Multicrystalline silicon solar cell
No. of cells and connections	36
Module dimension	Ø520[20.47]x17[0.70]
Weight	3.8kg[8.38lbs]
Packing information(Carton)	575mm[22.64in.]x265mm[10.43in.]x580mm[22.83in.]/(10pcs/ctn)

\*Limited warranty: 5-year limited warranty of materials and workmanship; 10-year limited warranty of 90% power output; 25-year limited warranty of 80% power output. For detail, please contact us.  
\*Specifications are subject to change without notice at any time.